

# OG GUTTER<sub>115mm</sub>



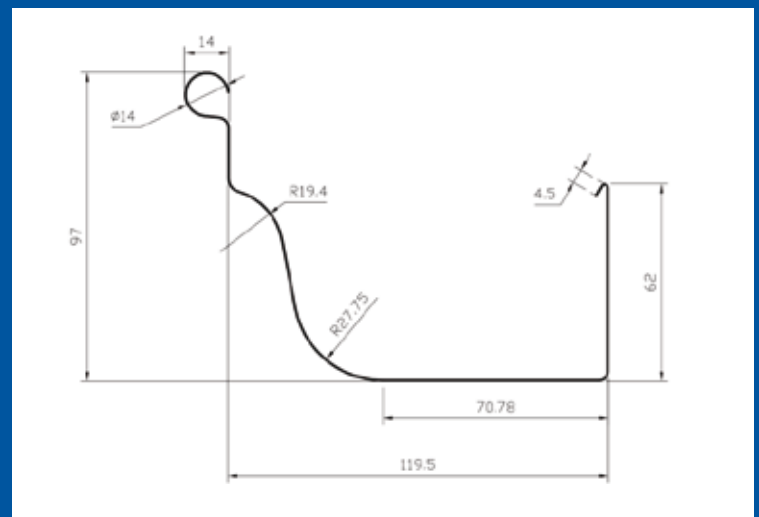
## APEX GUTTER AND FASCIA

Apex Building Products are pleased to announce that we will be rollforming a new OG Gutter 115mm profile which will be available for next day delivery.

The new profile will be 115mm wide, so if matching with other existing products, you will need to let us know so that the correct profile will be supplied.

This will be effective from the 7th November 2018, and will allow a quicker lead time.

If you require any further information please do not hesitate to contact our office.



**APEX**  
BUILDING  
PRODUCTS

For further information including span tables, water carrying capacity, steel data sheets and lead times please refer to our website [www.apexsteel.com.au](http://www.apexsteel.com.au) or contact your closest Apex Sales Office.